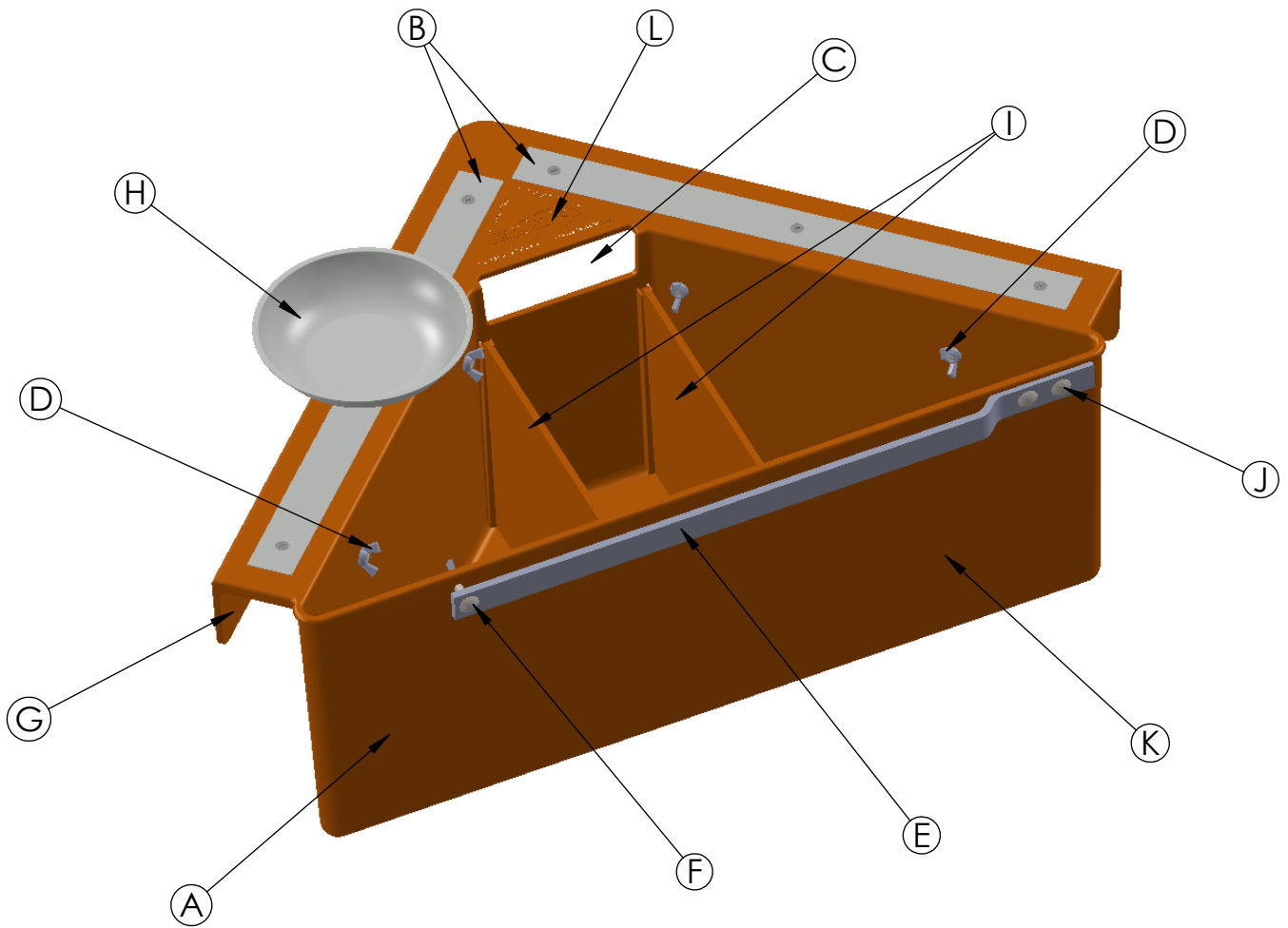


AERIAL TOOL BIN®

"Take your tools to a new height"

The Aerial Tool Bin is made of reinforced, non-conductive, UV protected, light-weight, durable, orange polypropylene plastic.



- A. Aerial Tool Bin
- B. Imbedded metal strips to secure magnetic parts tray
- C. Built in handle
- D. OSHA safety bolts w/nylon wing nuts (2)
- E. Tool pouch hanger bar
- F. Tool pouch hanger bar retaining bolt w/nylon wing nut
- G. U-Channel for hanging tool bin
- H. Magnetic parts tray
- I. Removable partition walls (2)
- J. Carriage bolts to secure tool bar (2)
- K. Warning label in English, French, and Spanish
- L. Embedded logo with max weight and Made in USA