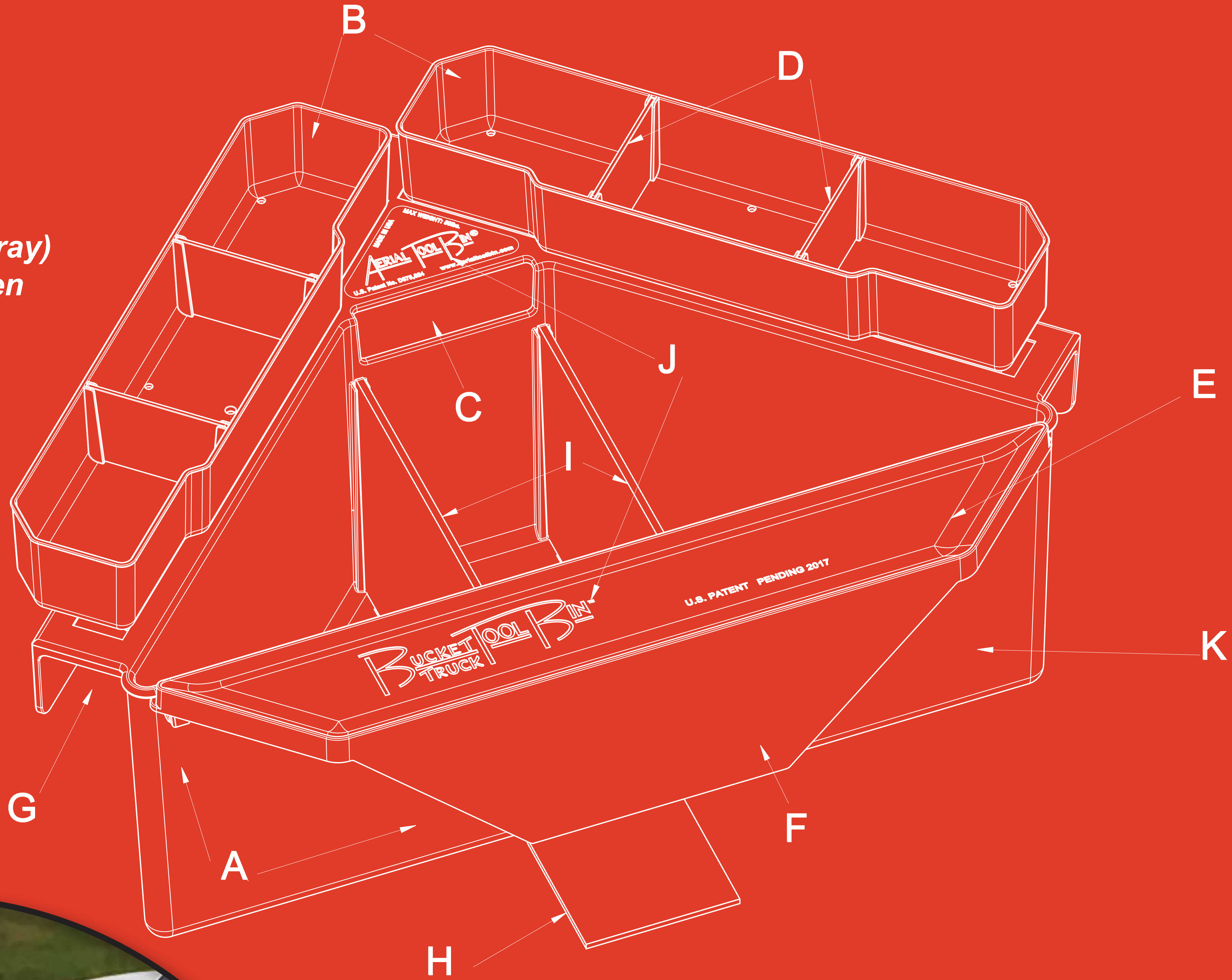


- A: The Original Aerial Tool Bin**
- B: Parts tray's (R&L)**
- C: Built in handle**
- D: Removable partition walls (2ea tray)**
- E: Parts Dish (Parts slide easily even with Gloves on)**



- F: U-channel with Parts dish (For Bucket truck applications)**
- G: U-channel for occasional storage (On the interior)**
- H: Leveler angle**
- I: Removable partition walls (2) (Inserted into the bottom weep holes)**
- J: Embedded logo with max weight & made in USA.**
- K: Warning label in English, French and Spanish**

**BUCKET TOOL BIN™**  
**TRUCK**

*Patent Pending 2017*