

1 Year Warranty

DeMore's Innovative Design, Inc. herewith guarantees the structural integrity of the Aerial Tool Bin® product, for one year and warrants it against all manufacturer defects. This Warranty is not applicable to any damage caused by user or caused by use other than its intended purpose on aerial platforms.

Replacement subject to DeMore's Innovative Design, Inc. inspection approval. Upon approval, the Aerial Tool Bin® will be replaced free-of-charge.

CALL DEMORE'S INNOVATIVE DESIGN, INC FOR REPLACEMENT INSTRUCTIONS 262-825-6784

AERIAL TOOL BIN®

Thank You for trusting your hard work to the Aerial Tool Bin®
www.aerialtoolbin.com

INSTRUCTIONS for Model ATB-1312



AERIAL TOOL BIN®

DeMore's Innovative Design, Inc.

1) Remove the warranty and keep in a safe place for your records.

2) Read all warnings on bin and equipment where bin is used.

3) Remove the divider separators and all components from the packaging on the sides of the Aerial Tool Bin®.

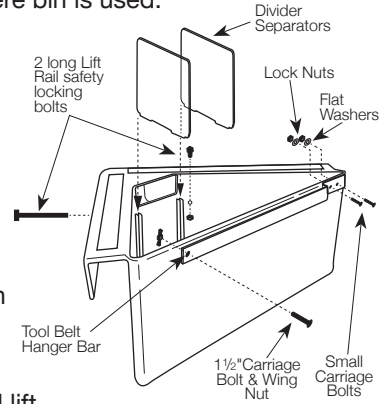
4) Place the Dividers in the channel slots and allow bottom of divider to insert weep holes.

5) Fasten the tool belt hanger bar with the two small carriage bolts provided. Insert the 1 1/2" carriage bolt with wing nut to help retain the tool pouch and **Secure** the bar.

6) Insert the two long Lift Rail safety locking bolts, (provided) **Prior** to operating your aerial lift.

7) To insert the tool pouch, remove the carriage bolt from the tool belt hanger bar and slide the tool pouch on. Re-insert the carriage bolt.

8) Load your larger tools in the Aerial Tool Bin® and you're ready to go to work.



U.S. Patent No.: D675.824

Made in the USA

! WARNING

- Read and follow all warnings on this label prior to using the Aerial Tool Bin®.
- The Aerial Tool Bin is intended solely to store tools & hardware associated with work that typically occurs on aerial lifts.
- The Aerial Tool Bin was designed to safely hold a maximum limit of tools & hardware. See maximum weight limit imprinted on the bin.
- Do not stand *on* or *in* the Aerial Tool Bin.
- Secure the area below when using the Aerial Tool Bin and all of its components.
- Do not expose the Aerial Tool Bin to temperatures exceeding 210°F.
- Read and follow all warning labels located on the aerial lift itself prior to using the Aerial Tool Bin.
- Do not use as a safety harness anchoring point.
- This product complies with OSHA rule 1926.759(a) Securing loose items aloft.
- Thank you for putting your trust in the Tool Bin Man® and choosing the Aerial Tool Bin®...!

! ADVERTENCIA

- Lea y siga todas las advertencias de esta etiqueta antes de usar la Aerial Tool Bin®.
- La Aerial Tool Bin® está destinada únicamente a almacenar herramientas y hardware asociados con el trabajo que normalmente se produce en los elevadores aéreos.
- La Aerial Tool Bin fue diseñada para contener de forma segura un límite máximo de herramientas y hardware. Consulte el límite máximo de peso impreso en el recipiente.
- No se pare *sobre* o *en* la Aerial Tool Bin.
- Asegure el área de abajo cuando utilice la Aerial Tool Bin y todos sus componentes.
- No exponga la Aerial Tool Bin a temperaturas superiores a 210°F.
- Lea y siga todas las etiquetas de advertencia ubicadas en el elevador aéreo antes de utilizar la Aerial Tool Bin.
- No utilizar como punto de anclaje del arnés de seguridad.
- Este producto cumple con la regla 1926.759(a) de OSHA.
- ¡Gracias por depositar su confianza en Tool Bin Man® y elegir el Aerial Tool Bin®...!

! AVERTISSEMENT

- Avant d'utiliser Aerial Tool Bin®, veuillez lire et suivre toutes les mises en garde figurant sur cette étiquette.
- L'Aerial Tool Bin est uniquement destiné à ranger les outils et le matériel associés aux travaux qui se déroulent habituellement sur les nacelles élévatrices.
- L'Aerial Tool Bin a été conçu pour contenir en toute sécurité un maximum d'outils et de matériel. Faites référence à la limite de poids maximum imprimée sur le bac.
- Ne vous tenez pas debout *sur* ou *dans* L'Aerial Tool Bin.
- Sécurisez la zone ci-dessous lorsque vous utilisez L'Aerial Tool Bin et tous ses composants.
- N'exposez pas L'Aerial Tool Bin à des températures supérieures à 210°F.
- Lisez et suivez toutes les étiquettes d'avertissement situées sur la nacelle élévatrice elle-même avant d'utiliser L'Aerial Tool Bin.
- Ne pas utiliser comme point d'ancrage du harnais de sécurité.
- Ce produit est conforme à la règle 1926.759(a) de l'OSHA qui stipule que les articles en vrac doivent être fixés en hauteur.
- Merci de faire confiance à Tool Bin Man® et d'avoir choisi L'Aerial Tool Bin®... !

262-825-6784

www.aerialtoolbin.com

AERIAL TOOL BIN®